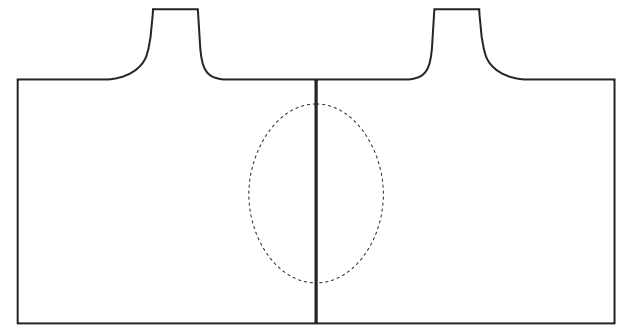


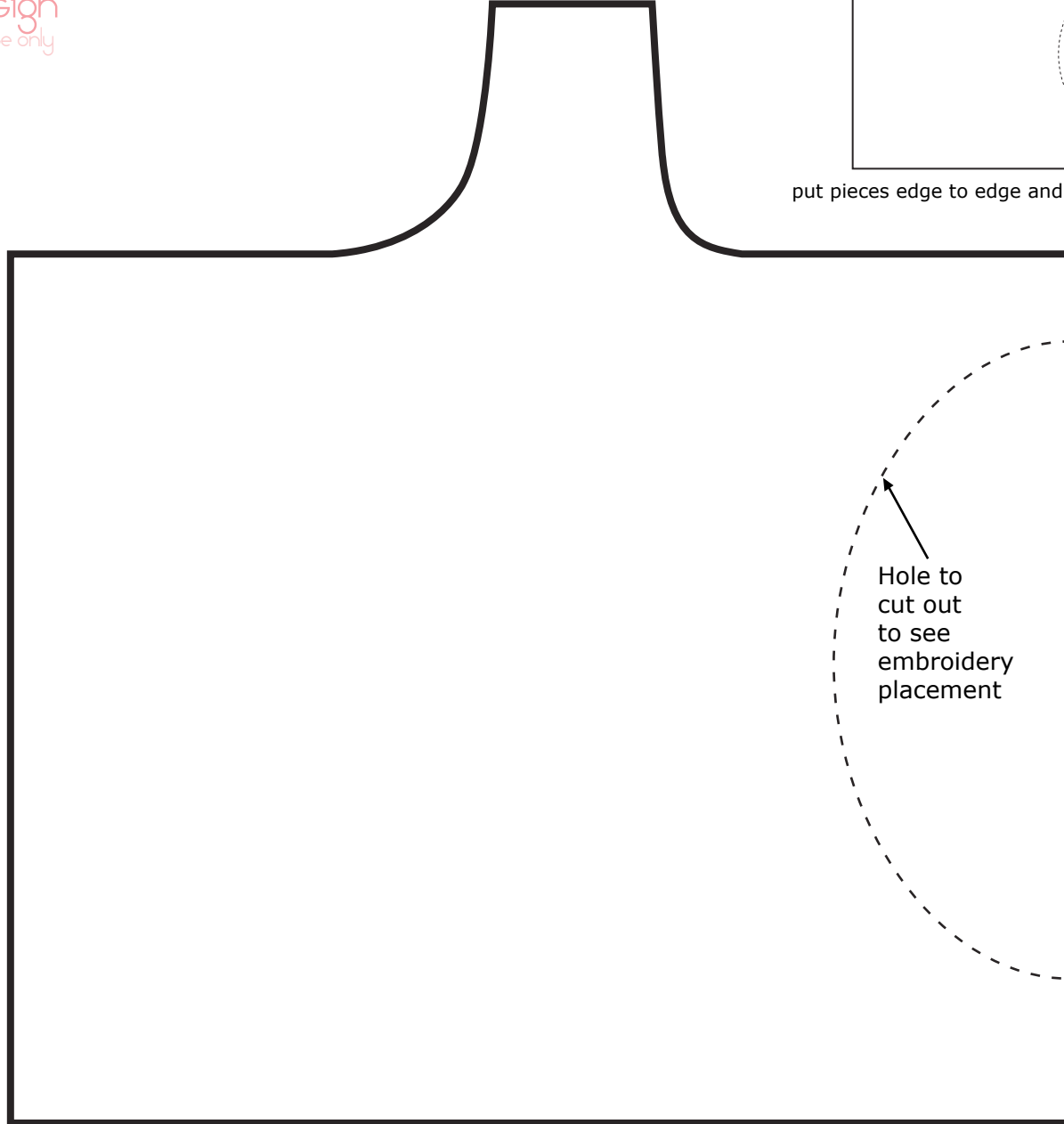
# summer party hanging vase pattern

© 2010 mo bedell design  
for personal use only

will accomodate up to 3/4 " ribbon, adjust as needed



put pieces edge to edge and print down the middle without overlapping



Print two of these and tape together at this center line

Hole to cut out to see embroidery placement

Print two of these and tape together at the center line without overlapping the pieces. This gives you the full size pattern piece without having to enlarge it. Seam allowances are included.